

SBP: Technical Data

51 Butterfly Valves, plastomer-lined

PM 51 M.01 e

March 2006



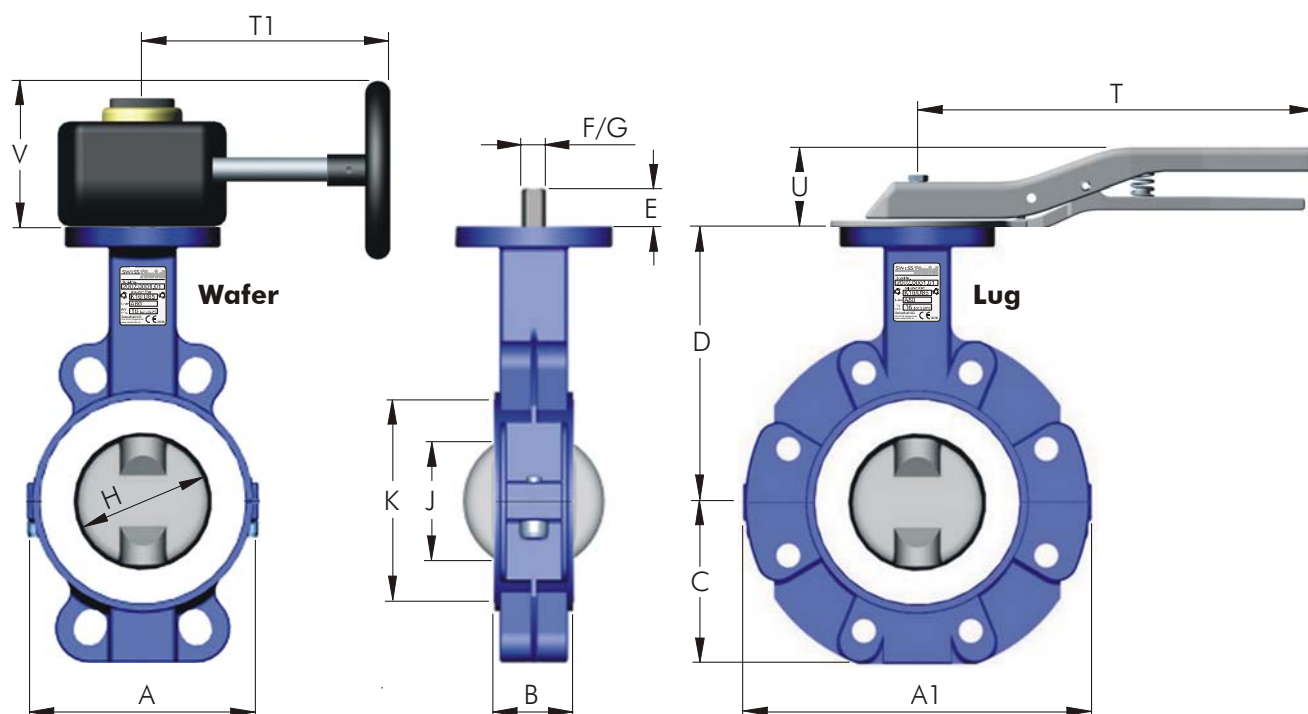
Operating Conditions

- Temperature range from -40°C up to +220°C (depending on material of liner resp. encapsulation)
- Pressure range from 1 mbar up to 16 bar

Testing / Marking

- Pressure- and tightness testing acc. to EN 12266-1, leakage rate A, and spark testing at 35 kV to assure lining integrity. Marking of valves on body and name plate acc. to EN 19.
- Material- resp. test certificate acc. to EN 10204-3.1

Outline Drawing / Actuator Options



Dimensions in mm

Size DN	A	A1	B	C	D	E	F	G	H	J	K	ISO	T	T1	U	V
25/1"	-	115	33	46	87	23	14	11	35	10	64	F05	230	126	46	78
32/1¼"	-	115	33	46	87	23	14	11	35	10	64	F05	230	126	46	78
40/1½"	-	145	33	64	109	23	14	11	50	38	79	F07	230	126	46	78
50/2"	118	160	43	69	124	23	14	11	60	42	99	F07	230	126	46	78
65/2½"	-	180	46	79	144	23	14	11	60	39	104	F07	230	126	46	78
80/3"	134	202	46	93	159	23	14	11	80	66	119	F07	230	126	46	78
100/4"	162	232	52	107	184	23	18	14	100	86	144	F07	270	126	51	78
125/5"	-	269	56	119	199	23	18	14	125	112	169	F07	270	126	51	78
150/6"	248	289	56	130	209	28	24	17	150	141	199	F07	325	185	51	96
200/8"	273	349	60	158	239	28	24	17	200	191	249	F10	-	185	-	96
250/10"	328	400	68	195	264	40	30	22	250	241	309	F10	-	251	-	142
300/12"	378	470	78	229	264	40	30	22	300	290	359	F10	-	251	-	142

Face to face B acc. to DIN EN 558-1 range 20