

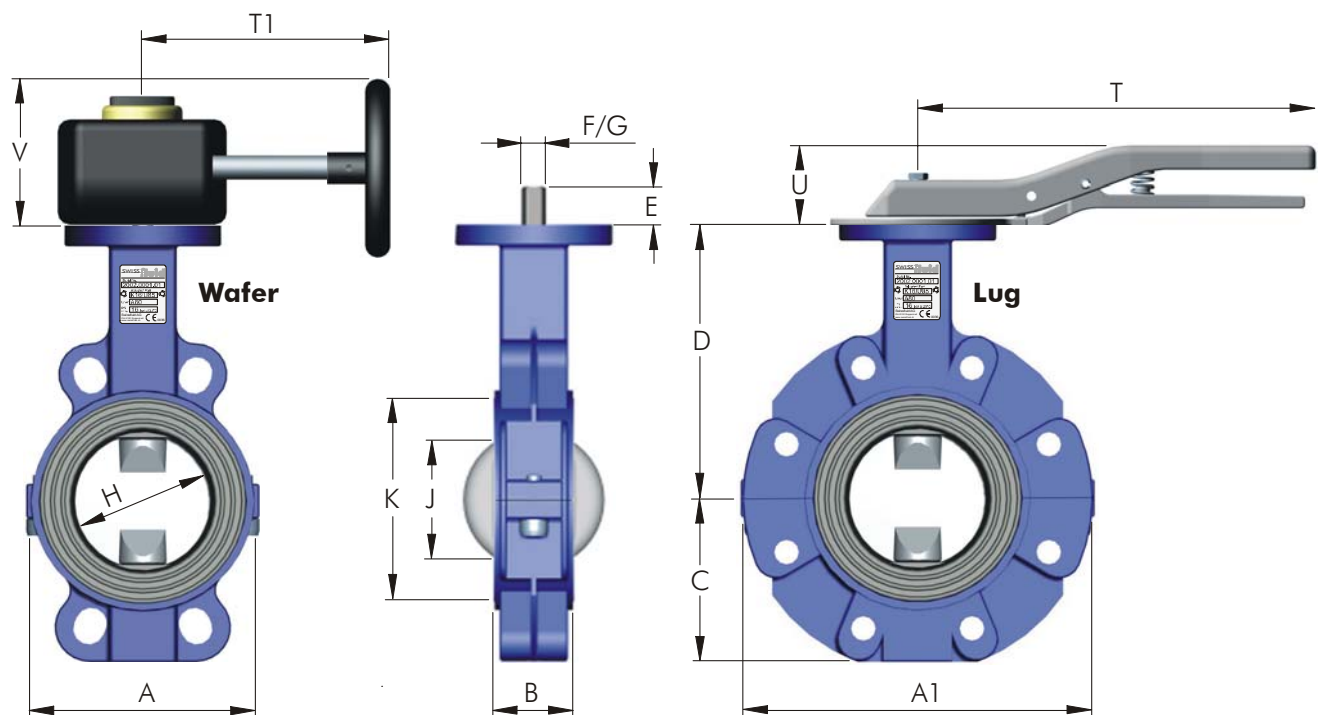
Operating Conditions

- Temperature range from -50°C up to +200°C (depending on material of liner resp. encapsulation)
- Pressure up to max. 16 bar (DN40-300) resp. 10 bar (DN350-600)

Testing / Marking

- Pressure- and tightness testing acc. to EN 12266-1, leakage rate A, and spark testing at 35 kV to assure encapsulation integrity. Marking of valves on body and name plate acc. to EN 19.
- Material- resp. test certificate acc. to EN 10204-3.1

Outline Drawing / Actuator Options



Dimensions in mm

Size DN	A	A1	B	C	D	E	F	G	H	J	K	ISO	T	T1	U	V
40	-	145	33	64	109	23	14	11	50	38	79	F07	230	126	46	78
50	118	160	43	69	124	23	14	11	60	42	99	F07	230	126	46	78
65	-	180	46	79	144	23	14	11	60	39	104	F07	230	126	46	78
80	134	202	46	93	159	23	14	11	80	66	119	F07	230	126	46	78
100	162	232	52	107	184	23	18	14	100	86	144	F07	270	126	51	78
125	-	269	56	119	199	23	18	14	125	112	169	F07	270	126	51	78
150	248	289	56	130	209	28	24	17	150	141	199	F07	325	185	56	96
200	273	349	60	158	239	28	24	17	200	191	249	F10	-	185	-	96
250	328	400	68	195	264	40	30	22	250	241	309	F10	-	251	-	142
300	378	470	78	229	264	40	30	22	300	290	359	F10	-	251	-	142

Face to face B acc. to DIN EN 558-1 range 20