

SBE: Technical Data DN350-600

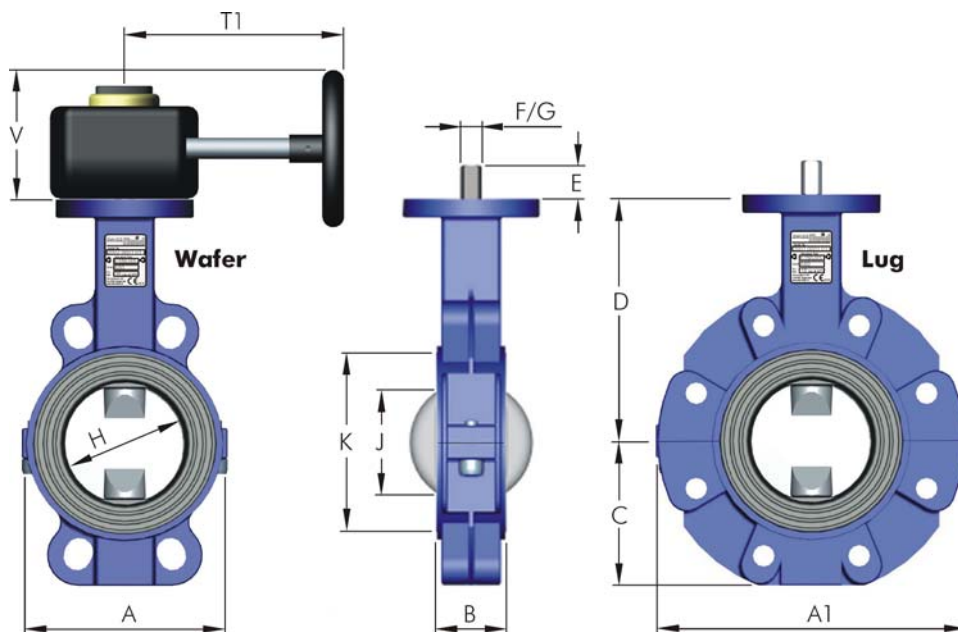
52 Butterfly Valves, elastomer-lined

PM 52 M.05 e

March 2006



Dimensions in mm



Size DN	A	A1	B	C	D	E	F	G ¹⁾	H	J	K	ISO	T	T1	U	V
350	416	530	92	254	309	40	40	27	340	328	409	F12	-	268	-	168
400	462	596	102	289	339	40	40	27	400	387	459	F12	-	268	-	168
450	512	630	114	308	359	50	50	14	450	436	515	F14	-	275	-	208
500	566	698	127	339	390	50	50	14	500	484	569	F14	-	275	-	208
600	668	812	154	399	449	50	50	14	600	578	669	F14	-	298	-	250

Face to face B acc. to DIN EN 558-1 Range 20 ¹⁾ DN450-600: Keyway ²⁾ Range 25, ASME B16.10 wide

Torque Values in Nm (in-lbs = Nm x 8.85)

Torque values for **Liner/Disc** combination as stated in below chart

Size DN		350	400	450	500	600
EPDM	SS316L	450	660	800	900	1'000
NBR	SS316L	450	660	800	900	1'000
EPDM	PFA	450	660	800	900	1'000
max. allowable		1'800	1'800	2'000	2'000	2'000

- Stated values to be break-away torques without any consideration of safety factors for actuators.

Weights in kg (lbs = kg x 2.2)

Figures stated for execution EPDM liner/stainless steel disc/bare shaft

Size DN	350	400	450	500	600
Lug -style body	85.0	98.0	124.0	132.0	224.0
Wafer -style body	51.0	63.0	76.0	88.0	132.0
Gearbox GG25	8.5	8.5	17.5	17.5	18.0

Weights for pneumatic actuators acc. to separate data sheet