

SPA-R: Technical Data, Construction

61 Pneum. Quarter Turn Actuators

PM 61 M.01 e

September 2004



Operating Data

- Air Supply filtered air (dry or lubricated)
- Air Pressure min. 1 bar (14.2 psi) up to 10 bar (142 psi)
- Torque Range 20 up to 3'236 Nm at 6 bar (87 psi) air pressure
- Operating Angle 90°
- Stroke Adjustment ±5°
- Lubrification permanent lubrication (for min. 1 million cycles)
- Temp. Range -20°C bis +80°C
- Installation Pos. user-defined

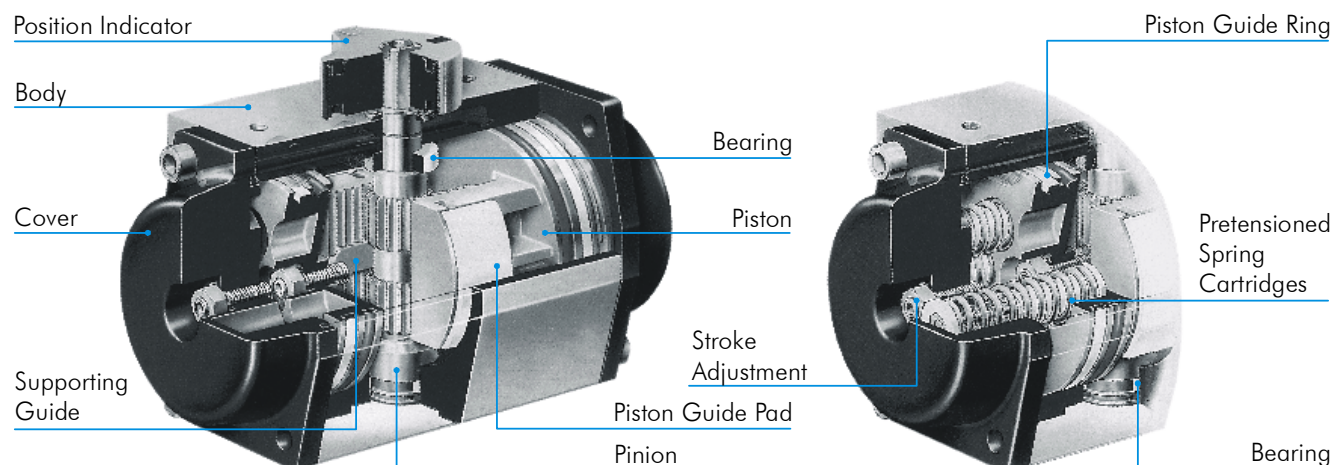
Testing

- 100% function- and tightness testing on electronic testing bench guarantees the reliable function of the pneumatic actuators

Technical Data

Type TR		050	063	075	085	100	115	125	160	200	270
Air Volume (dm ³)	DA	0.23	0.45	0.61	0.98	1.8	2.8	3.7	8.0	14.2	22.2
	SR	-	-	-	-	-	-	-	-	-	-
Opening Time (sec)	DA	0.6	0.6	0.6	0.6	0.8	0.9	1.1	1.3	3.6	4.5
	SR	0.6	0.7	0.7	0.7	1.1	1.2	1.3	2.1	4.6	6.0
Closing Time (sec)	DA	0.6	0.7	0.7	0.9	0.9	1.1	1.1	1.6	4.6	4.5
	SR	0.6	0.9	1.0	1.3	1.3	1.6	2.1	2.6	6.1	6.0
Weight (kg)	DA	1.07	1.6	2.9	4.2	5.8	9.2	11.9	20.5	43.0	94.0
	SR	1.2	1.8	3.37	4.83	6.82	10.3	14.2	24.9	53.0	113.0

Construction of Actuator



Compl. Assembly

of actuator incl. options and accessories
 acc. to data sheet
 Mounting Options, Specification PM 61 M.04 e