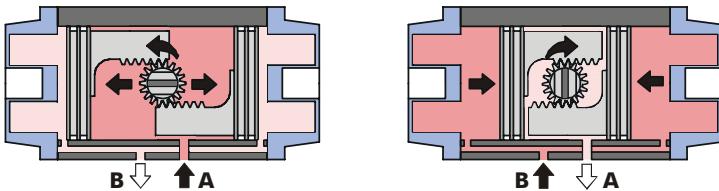


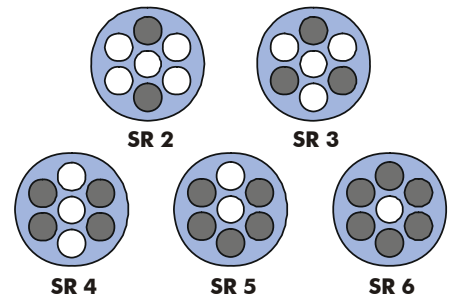
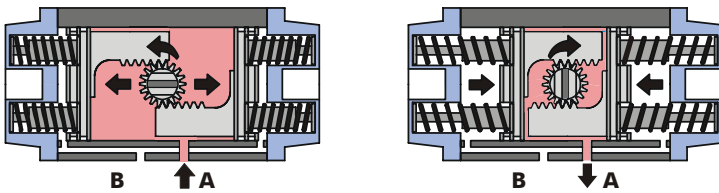


Mode of Operation

DA: double-acting



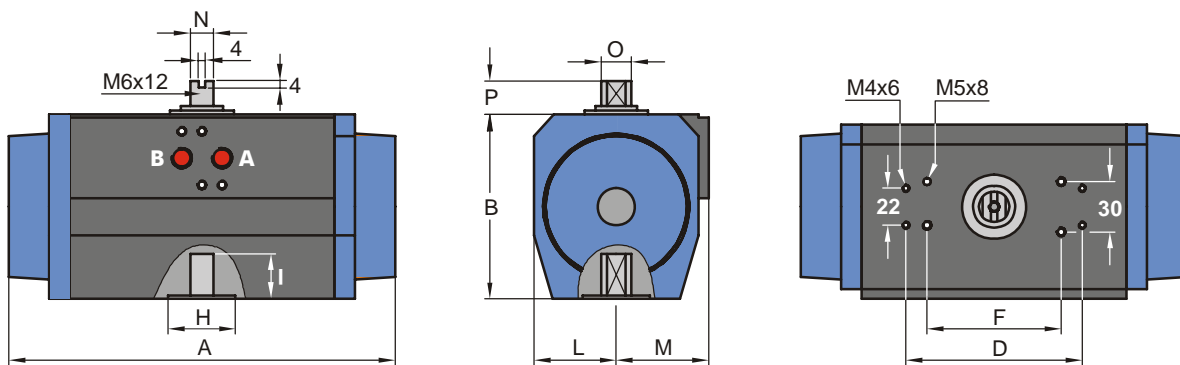
SR: single-acting



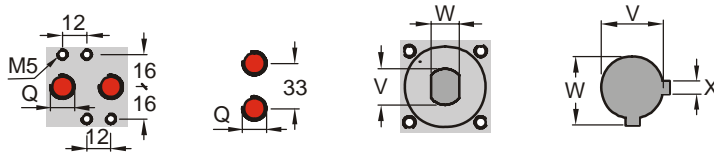
Arrangement of Spring Cartridges

- Do **not** open actuator under pressure!
- Spring cartridges release automatically during removal of covers!

Dimensions in mm



Top View



NAMUR
TR 050-200

NAMUR
TR 270

ISO Flange
TR 050-200

ISO Flange
TR 270

Type TR	A	B	D	F	H	I	L	M	N	O	ISO	P	Q	V	W	X
050	138	67	-	80	25	13	33.5	41.5	8	12	F03/05	20	1/8"	14.2	11	-
063	152	83	-	80	25	16	38	48	8	12	F03/05	20	1/4"	14.2	11	-
075	205	100	105	80	35	20.5	42.5	51.5	14	18	F05/07	20	1/4"	18.2	14	-
085	228	110	105	80	40	23.5	49	55	14	18	F05/07	20	1/4"	18.2	14	-
100	274	125	105	80	55	28.5	55	65	14	18	F05-10	20	1/4"	24.2	17	-
115	308	142	139	130	55	28.5	64	68	27	36	F07/10	30	1/4"	24.2	17	-
125	362	155	139	130	55	41	69.5	71.5	27	36	F07/10	30	1/4"	30.2	22	-
160	462	196	139	130	75	51	88	88	27	36	F10/12	50	1/4"	40.2	27	-
200	575	240	139	130	85	51	110	110	32	42	F10/12	50	1/4"	40.2	27	-
270	685	332	-	130	104	62	166	166	55	80	F14	50	1/2"	50	53.8	14

other sizes upon request