



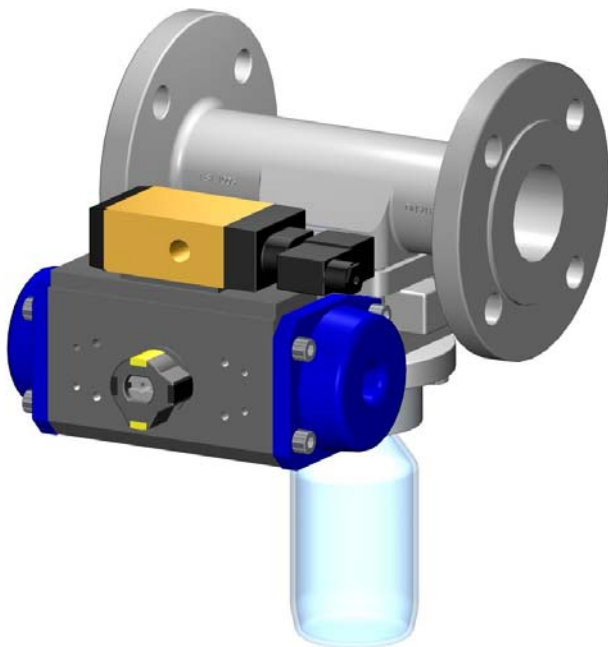
Valve Versions



Standard Valve, with spring to close handwheel



Standard Valve, with spring to close handlever

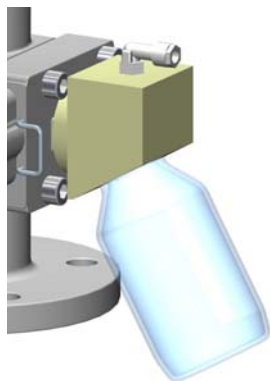


Automated, with pneum. quarter turn actuator

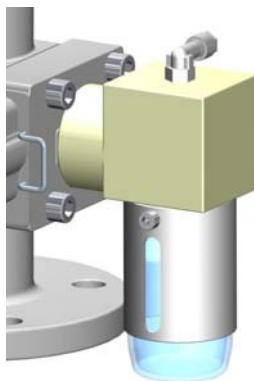


Sampling Ball Valve, with handlever, 90° turn

Mounting Versions / Options



Standard Valve, with 30° adapter



with vertical 90° adapter and protection tube



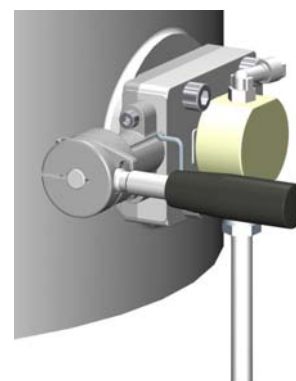
adjustable bottle support, spring loaded adapter



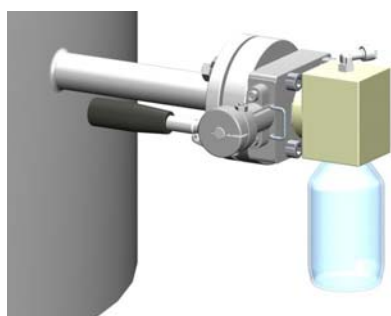
adjustable bottle support, spring loaded plate



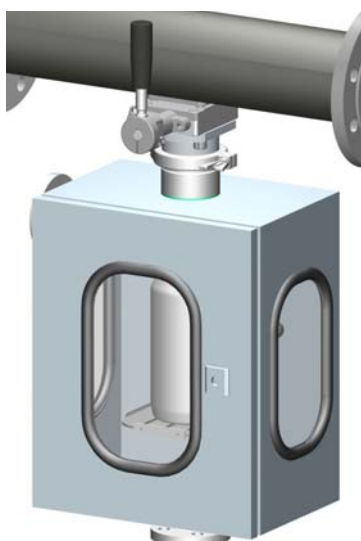
Standard Valve, with adapter and safety basket



Valve Unit, direct mounting onto vessel, vert. Outlet



Valve Unit, mounting onto vessel flange, vert. adapter



Special Valve, with clamp on ss safety cabinet